

THANK YOU FOR HELPING MAKE THE WORLD A MORE SUSTAINABLE PLACE

The Aerobin® is a finely tuned engineered product which, when treated with respect, should give you years of sustainable composting.

POSITIONING YOUR AEROBIN®

Must be installed on a level, firm and even surface - large pavers or concrete are best, ensure the whole underneath surface is supported as the Aerobin® can weigh up to 400kg. Choose your spot carefully as it is not recommended that you move the Aerobin® once you start using it. If you need to move the Aerobin®, you will need to remove the matter inside first.

GETTING STARTED

Please see the document that has come with your Aerobin titled 'Aerobin – Composting Tips' – please read and apply the recommendations that have been provided to optimize the performance of your Aerobin. Or visit our website www.aerobin400.com and go to Info & Resources and click on Composting Tips.

WHAT CAN GO IN THE BIN?

Most organic waste, keeping an even mix of Green (wet) and Brown (dry). **See chart below**

MOISTURE LEVEL

The moisture level of your green materials should be that of a damp sponge. If you wring the material you should get a few drops of moisture. If there are no drops or it appears too dry, add a little water to the materials BEFORE you add to the Aerobin®. If it's dripping wet, add more dry material to even the moisture out. Dropping food scraps into the bin daily helps keep it moist.

COMPOSTING: HOW IT WORKS

Composting is a natural biological process that releases nutrients from organic matter, and produces fertile humus. The process requires air, moisture, warmth, organic matter and micro-organisms (fungi, bacteria and very small animals, which digest organic matter).

Decomposition starts at quite low temperatures. The insulation in the Aerobin® speeds up this process and the materials breathe through its patented aeration Lung® to provide a more sustainable composting process.

Any soil type will become richer, easier to work and more friable by adding compost, which will also make the soil water retentive, so you won't need to water the garden as much. The nutrients will feed the plants. You will see visible improvement in plant growth and condition in your soil if you regularly apply compost.

WHEN COMPOST IS IT READY

- > Within three to six months. Allow more time in cold weather or if only adding smaller amounts of material every so often
- > Inspect material via either side access door
- > It is ready when the material is evenly textured, slightly moist and dark
- > Use a small spade or garden trowel to remove mature compost
- > Take care not to damage the central aeration core or lung®

ORGANIC LIQUID FERTILISER

The base of your Aerobin® contains a chamber to retain excess moisture from composting material. This organic liquid fertiliser is a mixture of moisture and minerals from the decomposing organic materials, and the naturally occurring micro-organisms that help composting occur.

This valuable organic liquid fertiliser can be used on your garden and pot plants to feed the plants. 1 part organic liquid fertiliser to 20 parts water. You will see visible improvement in plant growth and condition in your soil.

Some people prefer to attach a length of 13mm diameter poly pipe to the outlet at the bottom of the unit, with a tap fixed on the end of the pipe to access the organic liquid fertiliser (see "Accessing Compost" in the Frequently Asked Questions section).

WEEDS AND SEEDS

When used correctly the Aerobin® kills weeds and seeds by heat generated through micro-organic activity in the bin. This activity raises the temperature within the bin. Even in cooler weather the process in the thermally insulated bin generates heat and breaks down compost, which is why you don't need to place the Aerobin® in the sun.

SAFETY AND HYGIENE*

Organic household and garden waste material, compost and healthy soil contains living micro-organisms, including bacteria, fungi and protozoa. Depending upon the materials you use, it may also contain chemical, mineral and fertiliser additives.

RISK

Inhalation of dust and/or liquid mists may irritate, inflame or sensitise the nose, throat and lungs resulting in illnesses ranging from hayfever or asthma to pneumonia (e.g. Legionnaire's disease) or pneumonia-like illnesses. Direct contact with this material or its dust and/or liquid mists (bio-aerosols) may cause skin irritation (dermatitis), and skin or eye infection or irritation.

People particularly at risk are those suffering from asthma or allergies, and those whose immune defence systems are compromised.

SAFETY

AS WITH ALL COMPOSTS AND MULCHES:

- > Avoid contact with eyes and skin.
- > Avoid breathing or ingesting dust and/or liquid mists (bioaerosols).
- > Wear suitable protective clothing and standard duty gloves.
- > If exposed to dust and/or liquid mists, also wear dust resistant eye protection and particulate respirator.
- > Wash thoroughly immediately after handling decomposing materials. Wash work clothes regularly.

FIRST AID

Irrigate eyes with plenty of water for 10 minutes. Wash skin with soap and water. Seek medical attention for any persistent skin, eye or respiratory symptoms.

QUESTIONS AND ANSWERS

WHAT CAN GO IN

CAN I PUT ANIMAL FAECES IN IT?

In most jurisdictions it is illegal to put carnivore (meat eating animal) faeces in the Aerobin®. However, herbivore (grass/plant eating animal) manure, e.g. horse, cattle, goat, sheep, poultry manure can be included. All animal faeces may carry pathogens, as may all finished compost, therefore handle strictly according to safety and hygiene guidelines.

CAN I PUT ASHES IN IT?

It is not recommended. Hot Ash will damage the plastic and void the warranty. Too much ash will slow down the composting process.

DOES IT REALLY BREAK DOWN NEWSPAPER?

Yes, the Aerobin® breaks down all organic waste including newspaper and office paper, which must be scrunched up into balls before loading into the Aerobin. If adding a lot of newspaper without wet materials, moisten first. Cardboard strips will also breakdown and will help to provide structure (improving air flow) within the biomass you are loading into the Aerobin.

CAN I PUT DAIRY PRODUCTS IN IT?

Dairy products can give off an unpleasant odour when decomposing, and should only be used if the Aerobin® is in a location where the pungent smell will not offend anyone.



Global Environment Management Australia Pty Ltd
Unit 4, 18-22 Lexia Place, Mulgrave
Victoria 3170, Australia

FREECALL 1800 615 445 within Australia
F +61 3 8561 7999
W www.aerobin400.com
I info@aerobin.com.au

ACCESSING COMPOST

HOW DO I GET COMPOST OUT?

Through the two side access panels in the bottom chamber. Using the handle, lift the panel vertically to unlock, then pull toward you. When replacing it, ensure side access panel locks back in place to minimise odours and keep out pets and pests. Listen for the click when it locks in.

HOW MUCH LIQUID FERTILISER CAN THE TANK HOLD?

15 litres.

HOW DO I GET THE LIQUID FERTILISER OUT?

Drain the liquid fertiliser from the outlet at the base of the Aerobin® into a low-sided container. The outlet pipe, which turns, has an integrated vane. When the outlet pipes is at the bottom position the tap is "open", allowing the liquid fertiliser to flow and when the outlet pipe is at the top position the tap is "closed" (see diagram on page 1). It is recommended that you turn the valve several times to loosen the barrel before putting material into the Aerobin®.

Some people prefer to attach a 13mm diameter poly pipe, with a tap fixed on the end of the pipe. This way the outlet can be left on and the tap used to stop and start the flow. If the outlet becomes blocked simply use a skewer or piece of wire to remove blockage from the valve, whilst in the open position.

Please carefully follow the safety and hygiene guidelines in this leaflet when handling the fertiliser.

DOES THE LIQUID FERTILISER TANK GET SLUDGE IN IT?

Some sludge may build up over time, the residue of small particles of organic material. It is recommended that you completely empty the liquid fertiliser from the tank once or twice a year, attach a hose to the outlet and back flush the contents for 3 minutes.

HOW THE AEROBIN® WORKS

DOES THE AERATION CORE OR LUNG® TURN?

No. The Aerobin® has a static Aeration Core or Lung® allowing passive ventilation throughout the whole composting mass. No turning or churning is required.

DO I NEED TO KEEP THE AEROBIN® IN THE SUN?

No. The heat inside the Aerobin® comes from the micro-organisms breaking down the organics, not from the sun.

IS IT GUARANTEED TO MAKE GOOD COMPOST?

University tests have proved compost from the Aerobin® is superior to compost from other leading international compost units, when contents are mixed evenly and at the right moisture level. The tests achieved Rottegrad 4 standard (one step down from the top level) after just 13 weeks. The test indicated Rottegrad 5 standard would be achieved given a little more time

CAN I KEEP IT INSIDE?

Plenty of airflow is required, and if kept indoors a composting odour may be evident, so it should be kept outdoors.

Can I get spare parts for the Aerobin®?

The Aerobin® is exceptionally resilient and should not break, however, replacement parts are available at a charge. You may freecall the hotline on 1800 615 445 or email info@aerobin.com.au to order spare parts.

WORMS

HOW DO WORMS GET IN?

Aerobin® doesn't actually need worms to operate, however compost worms greatly enhance the composting process and may get in through small holes in the bottom of the Aerobin®.

WILL IT KILL WORMS?

Worms may die if placed in the top of the unit due to the high temperatures generated by the composting procedure. They should survive and thrive at the bottom of the unit.

GUARANTEE AGAINST DEFECTS

Our Aerobin comes with guarantees that cannot be excluded under Australian Consumer Law. You are entitled to a replacement or refund for a major failure and for compensation of any other reasonably foreseeable loss or damage. You are also entitled to have the goods repaired or replaced if the goods fail to be of acceptable quality and the failure does not amount to a major failure.

The Aerobin is guaranteed for 3 years against manufacturing or material defects.

Please contact and direct your claims to the offices of Global Environment Management Australia Pty Ltd (see details below)

You will be required to provide proof of purchase when making a claim. GEM Australia Pty Ltd will have the right to inspect the Aerobin to assess the claim – either physically or via photographic evidence you will provide or by any other agreed means.

The provisions of GEM-A Pty Ltd 'Guarantee Against Defects' are in addition to other rights and remedies you have under law in relation to the goods or services to which the guarantee relates.

ADDITIONAL HELP

E-mail: info@aerobin.com.au

Phone: Aerobin® Hotline

1800 615 445 Freecall

09:00 - 17:00 AEST,

Monday - Friday

except Victorian public holidays.

Website: www.aerobin.com.au or www.aerobin400.com

INSTRUCTIONS & INFORMATION

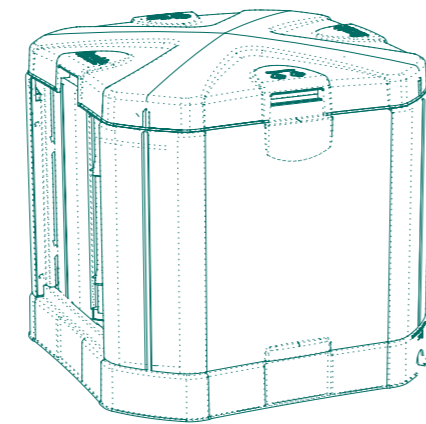
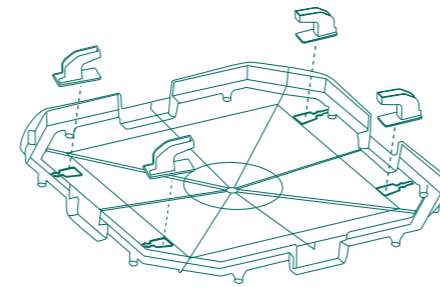
400 LITRE AEROBIN

Aerobin®
The waste revolution for modern living



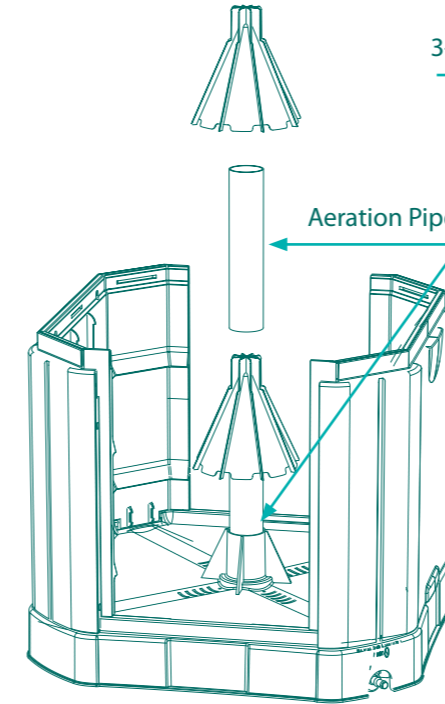
ASSEMBLY INSTRUCTIONS

400 LITRE AEROBIN



STEP 1.

- > Remove all packing from Aerobin®
- > Base level 3-Sided Panels (Large) are already in place
- > Remove black Lid and contents
- > Remove 4 Hooks from Polybag and insert & lock into underside of Lid. (insert & press forward until lock engages and Hook cannot be withdrawn repeat 4 places)

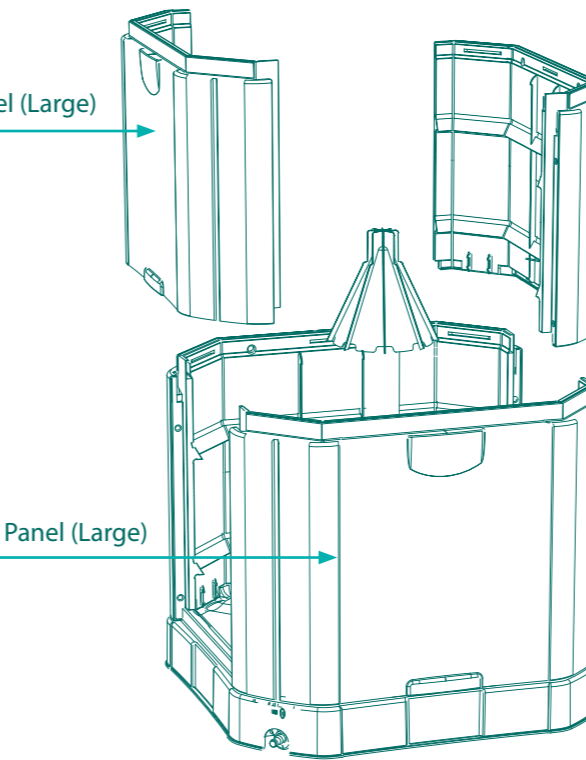


STEP 2.

- > Place an Aeration Pipe into the Base attached
- > Press lower Cone firmly onto the Aeration Pipe
- > Press second Aeration Pipe firmly over the top of lower Cone, twisting slowly to guide it over the Aerating Blades on the top of the Cone
- > Press the top Cone onto the top of the second Aeration Pipe

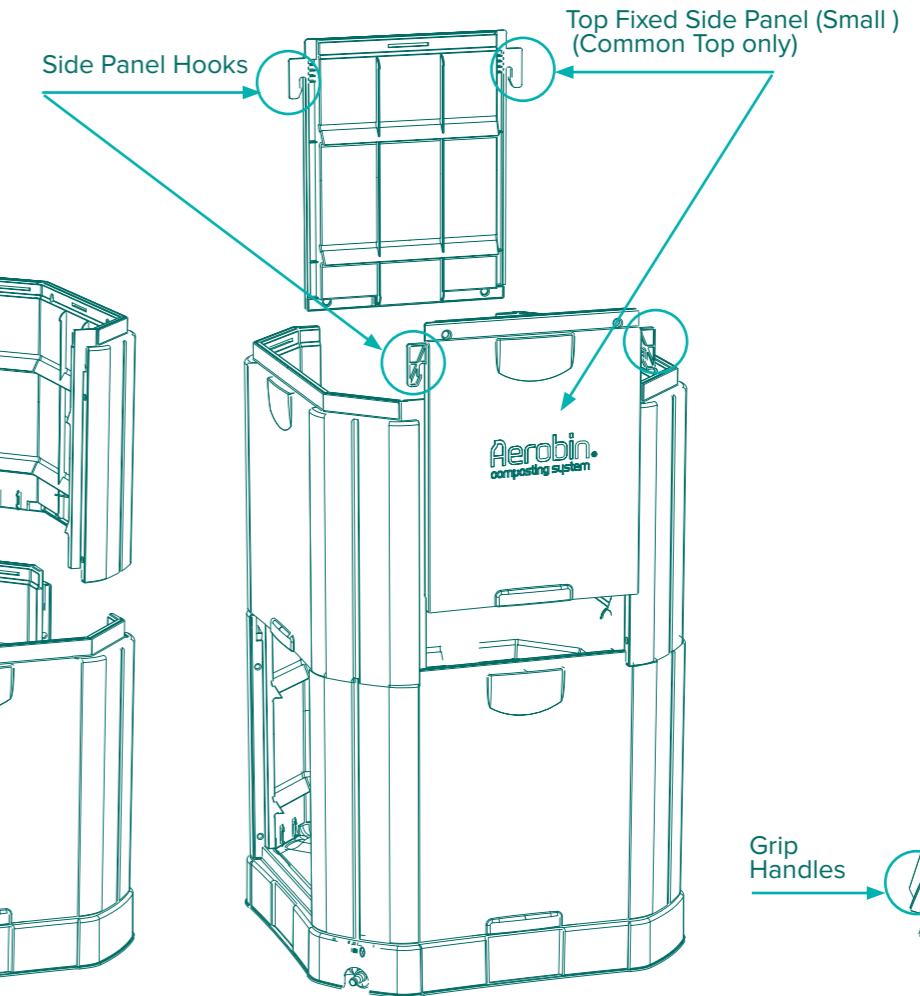
3-Sided Panel (Large)

3-Sided Panel (Large)



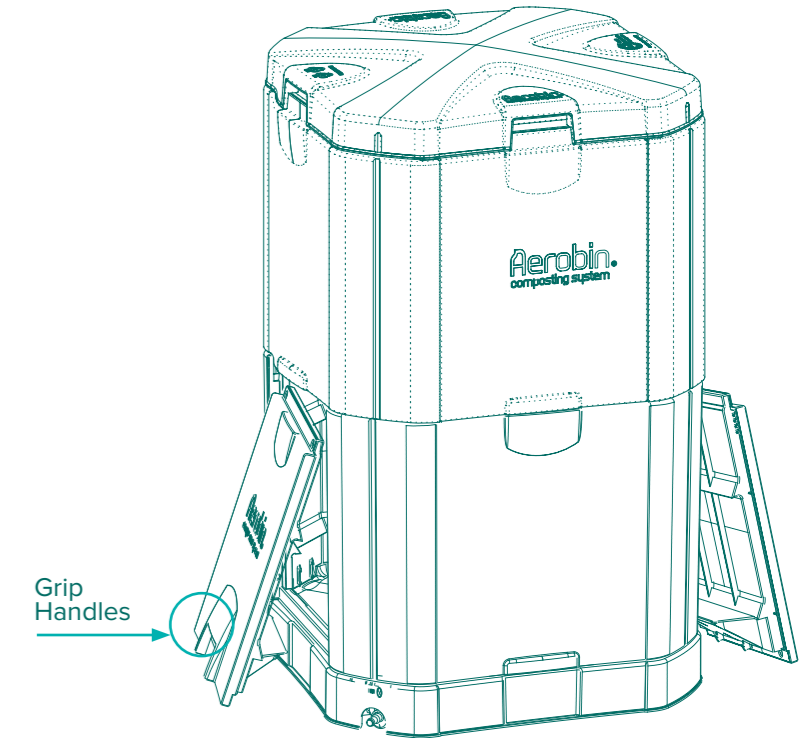
STEP 3.

- > Place 3-Sided Panels (Large) on top half of the bin, over empty panels, click into place
- > This will create a space below for the removable Side Access Doors in the Base



STEP 4.

- > Slide the Top Fixed Side Panels into place
- > Lock them into the 3-Sided Panel (Large) by the hooks provided
- > Ensure all Panels are flush with each other



STEP 5.

- > Place the Lid on the top of the Aerobin®
 - > Slide the two Removeable Side Access Doors into position by sliding the top in first, position the door and slide back down (8mm) until a click is heard or felt, to lock
 - > If the door can be pulled straight out without lifting first, **the door is NOT** locked into position
- Congratulations you are now ready to use your Aerobin® ! - but before you start ensure that the Aerobin is positioned on a very firm foundation**

WHEN FIRST INSTALLING YOUR AEROBIN POSITION IT ON A VERY FIRM AND LEVEL FOUNDATION OR SURFACE – NOT DIRECTLY ONTO GARDEN SOIL OR LAWN



LOW TIN FOR COLLECTING ORGANIC LIQUID FERTILISER (USE IN WATERING CAN RATIO 1PART ORGANIC LIQUID FERTILISER TO 20 PARTS WATER)

PROBLEM SOLVING

PROBLEM

SOLUTION

WHEN TOO WET:

1. Compost not heating up.
2. Not decomposing.
3. Bad smells.

Take out the material from the Aerobin® and put it back in, layering with brown (dry) material. Newspaper (scrunched up or shredded) and pea straw are counted as brown and will help. If large leaves or green garden matter is not decomposing, shred into smaller pieces.

WHEN TOO DRY:

Not decomposing

Take out the material from the Aerobin® and start the process again, being careful to layer even amounts of brown (dry) and green (wet) materials. If the compost is too dry, it may become water repellent and very hard to re-wet. Avoid putting dry materials in the bin unless moistened or mixed with high moisture-containing materials such as kitchen scraps.

INSECTS:

Attracts insects, millipedes, slugs

It is normal to have small flies, insects and other invertebrates in the Aerobin® ; they are part of the decomposing process. If small flies are annoying, cover with shredded paper, grass clippings or use pyrethrum spray.